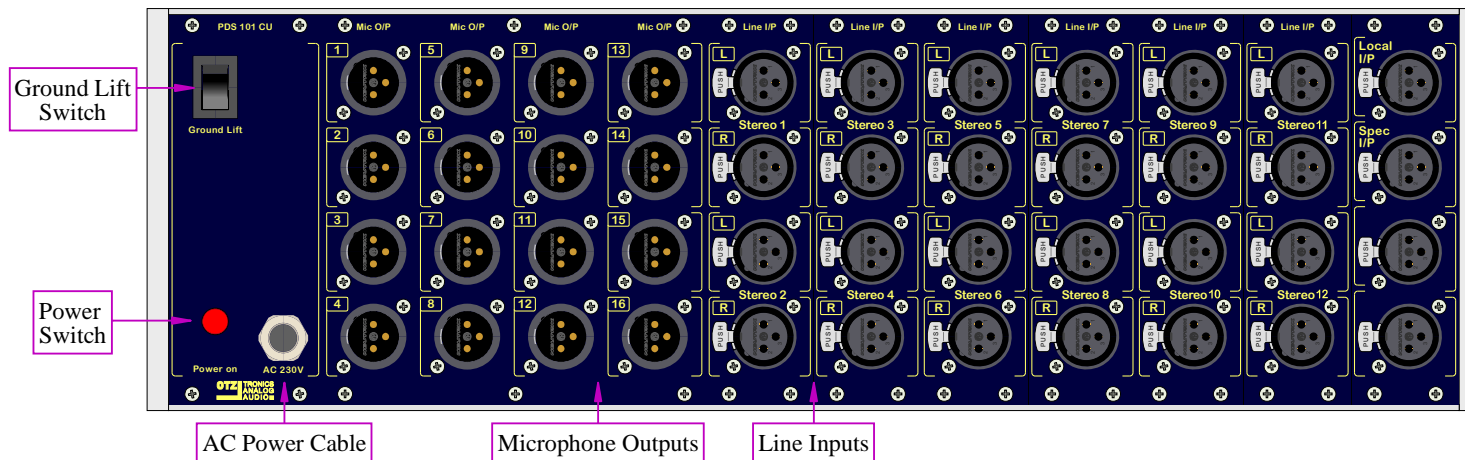
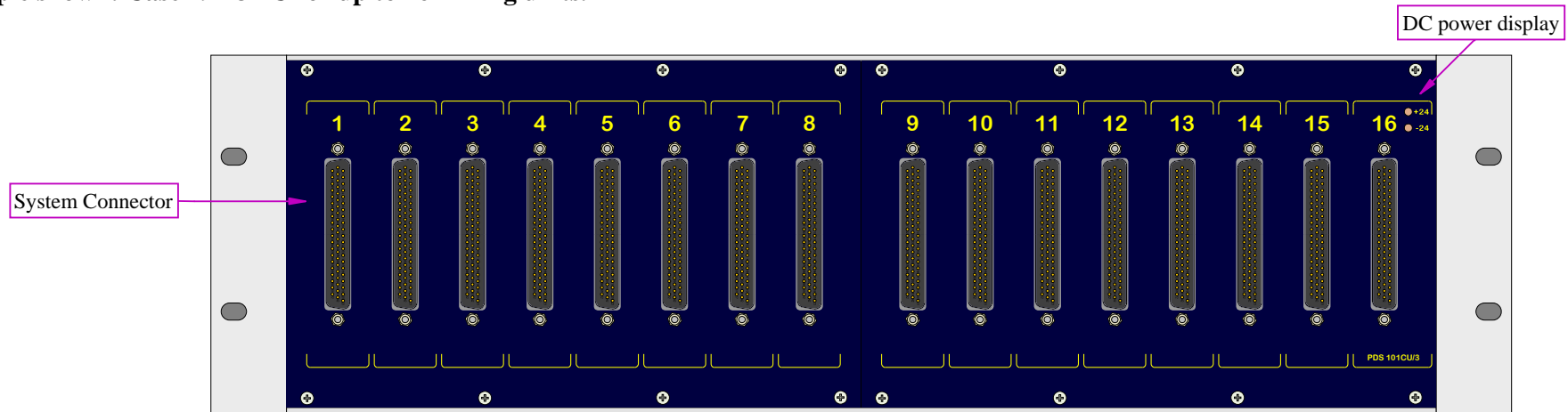


DISTRIBUTION UNIT PDS 101CU

Example shown: Case 19" 3HU for up to 16 mixing units.



DISTRIBUTION UNIT PDS 101CU

The heart of the mixing system: contains the mix signal feeds, parallel distribution of the mic/line signal lines, connection of the system cables and the main power supply.

There is a choice of two case variants:

19 Inch 3 HU for max. 16 mixing units

19 Inch 6 HU for max. 16 mixing units for systems with customized multipin connectors and/or dual power supply.

The power supply contains industry standard high efficiency switching regulator units. This assures high DC current reserve and excellent AC line regulation. An internal voltage selector is provided for 115V AC line operation.

The ground lift switch helps avoiding ground loops.

Pin 1 of the electronically balanced line inputs can be configured as AC or DC connected. (AC as standard)

The microphone outputs are direct, isolated connections to the corresponding connector of the mixing units.

The system connector is an AMP/Tyco HDP-22 62 contacts. The signal wiring is balanced throughout.

The distribution unit offers various possibilities for custom adaptations e.g. :

system cable length

type and position of connectors and multipin connectors

isolated inputs

gain adjustments

BLOCK DIAGRAM PDS 101CU:

