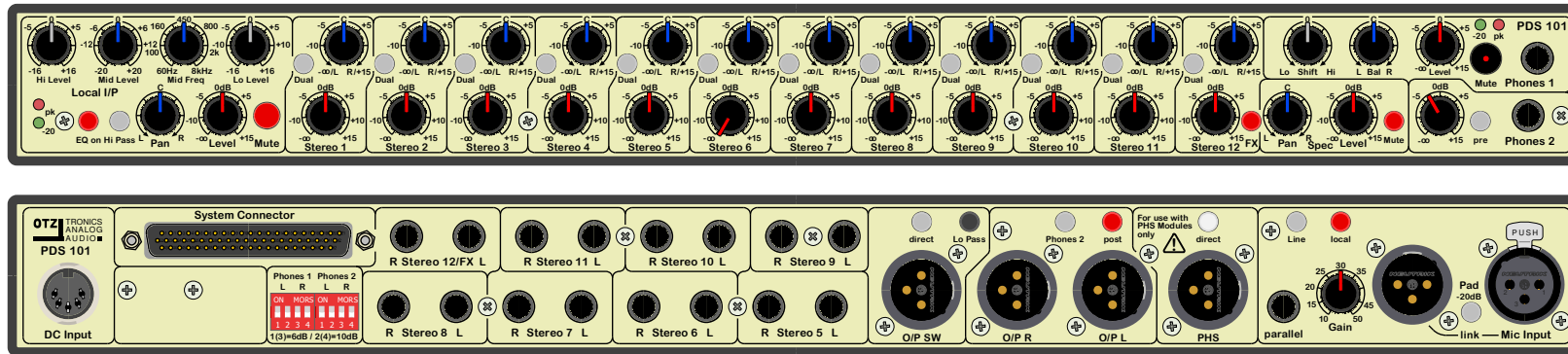


MIXING UNIT PDS 101MU

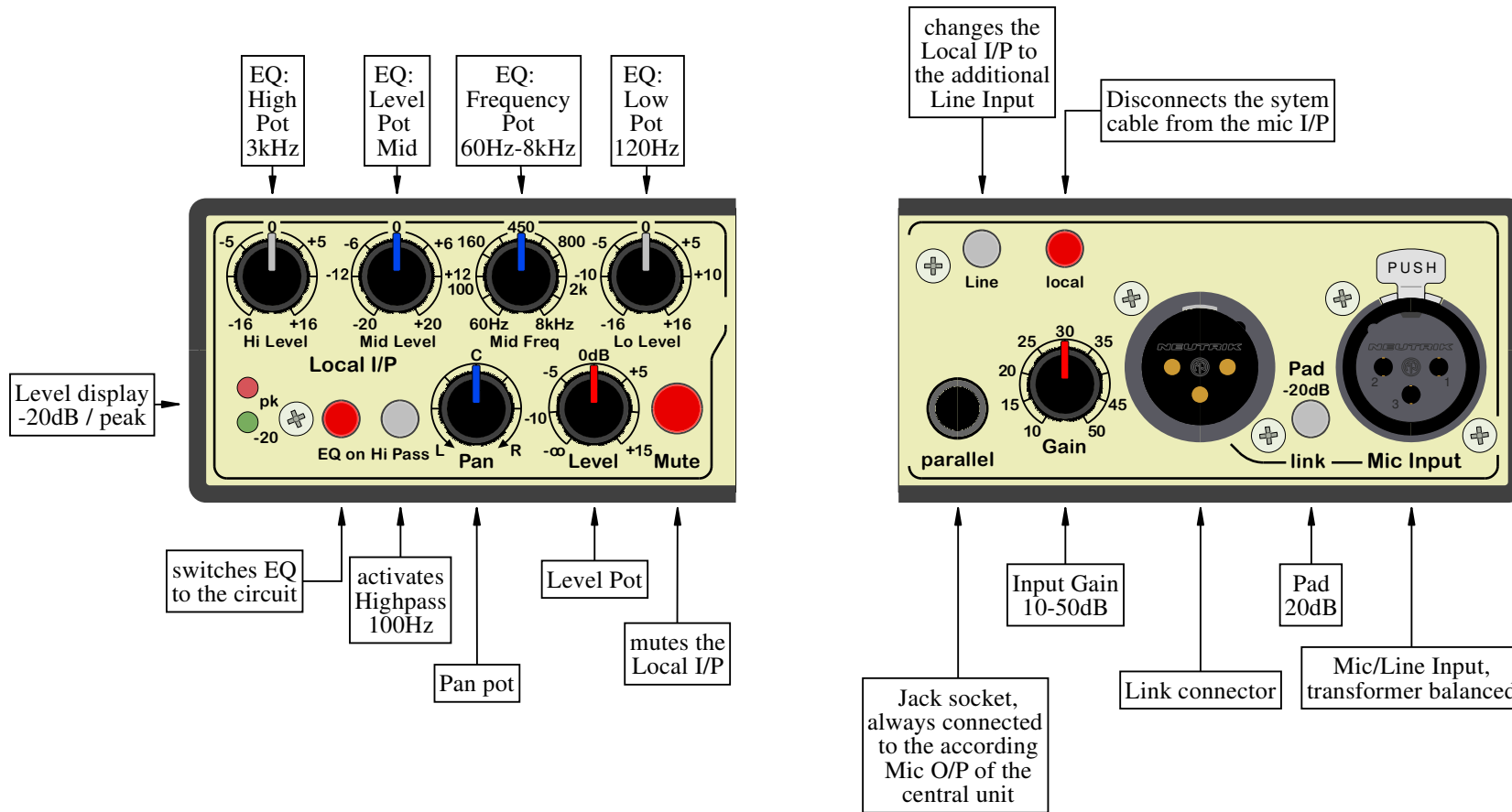


FEATURES:

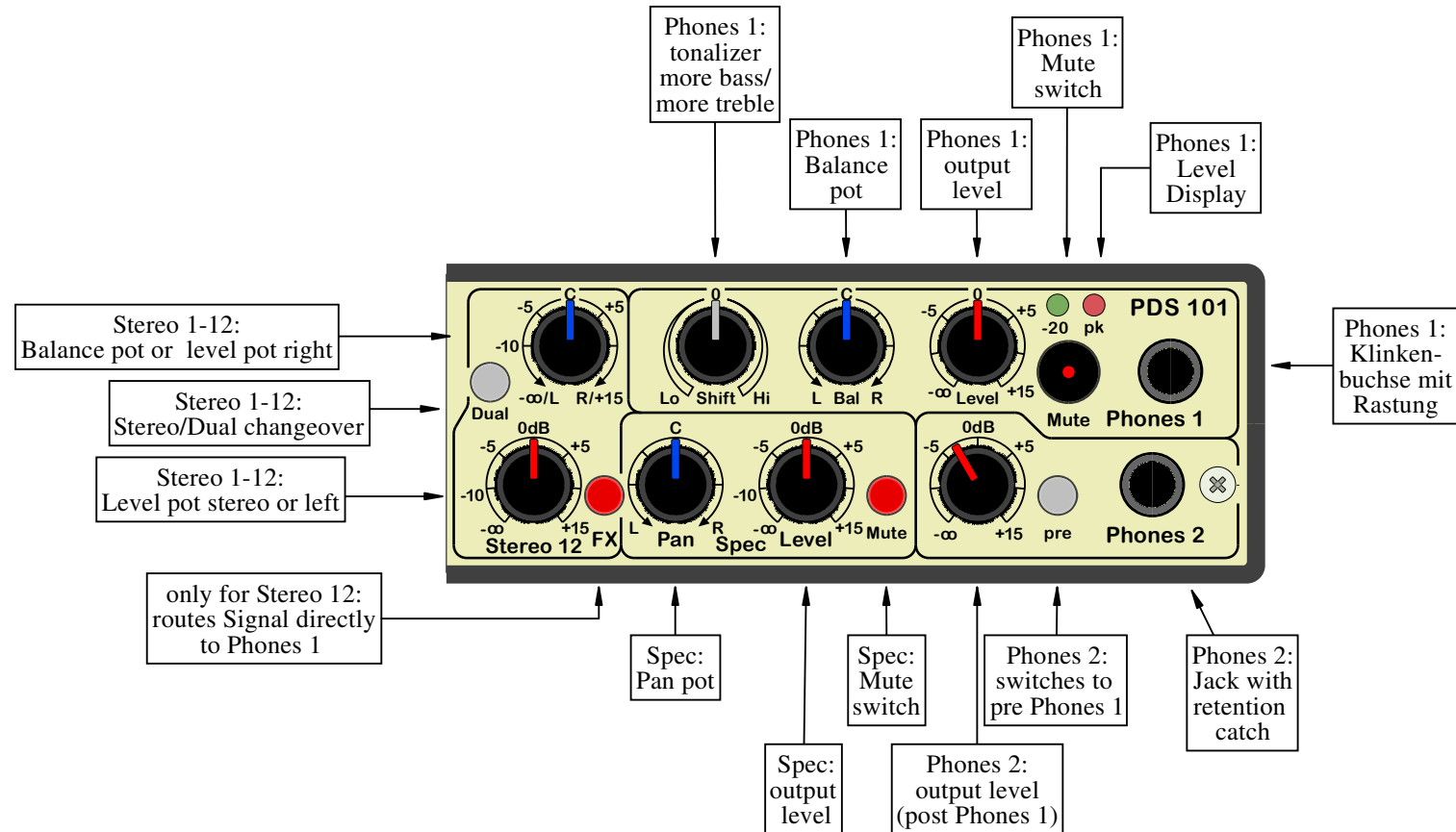
- Mixer for individually optimized monitor mix control:**
- Local mic input with equalizer, Hi Pass filter, Pan, Level and Mute.**
- 12 stereo mix channels, to be used as 24 mono channels respectively.**
- An additional mono channel completes the mix section.**
- The main phones output is equipped with a special tonalizer, balance pot, level pot and mute switch.**
- A second, independently adjustable phones output is fitted.**
- The output gain can be adjusted separately for both phones outputs to match the level requirements of the headphones and earphones systems in use.**
- Under system operation conditions, all signals and the DC power are fed to the mixer via a special cable.**

- Extensive connection facilities are also provided for local input signals, bass shakers and wireless systems.**
- An optional power supply allows the mixing unit to be operated independently.**

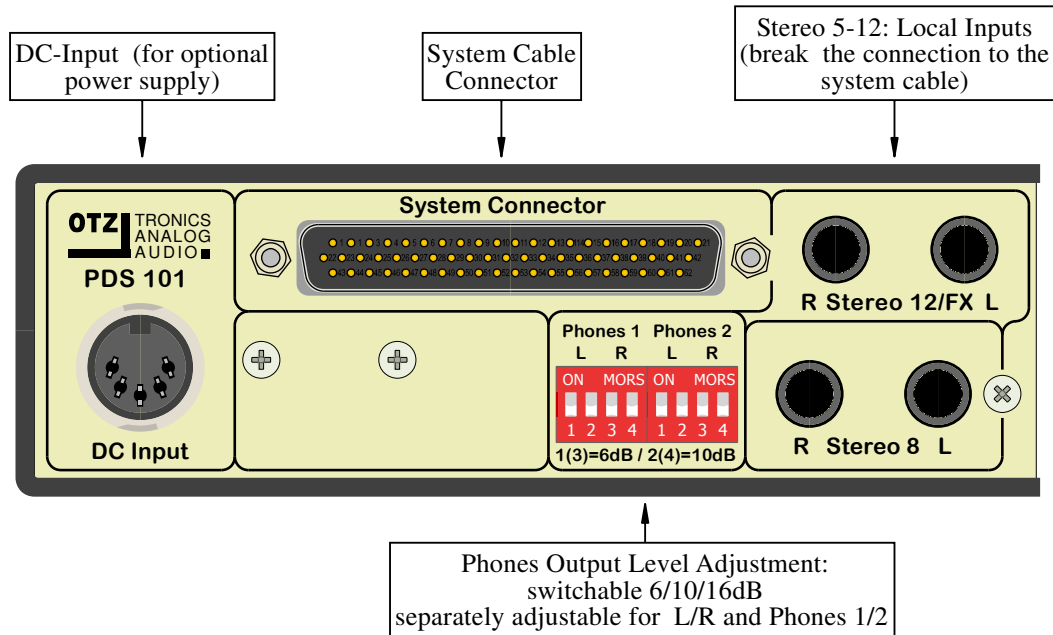
LOCAL I/P: CONTROLS AND CONNECTIONS



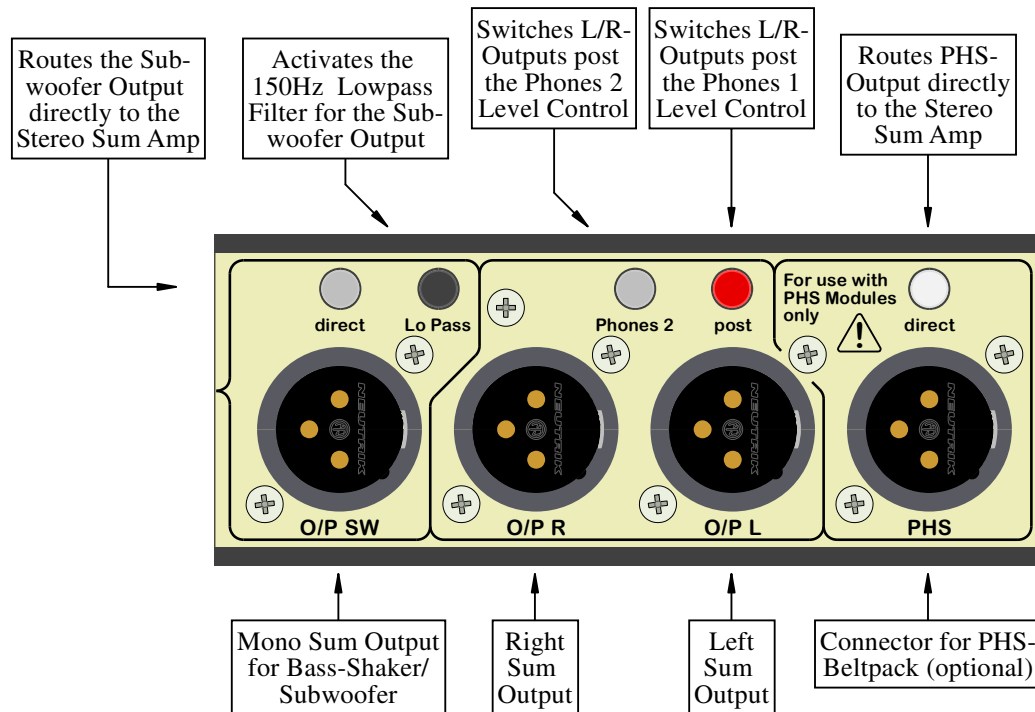
MIXER / PHONES MASTER:



SYSTEM CONNECTOR / INSERT:



MASTER OUTPUTS:



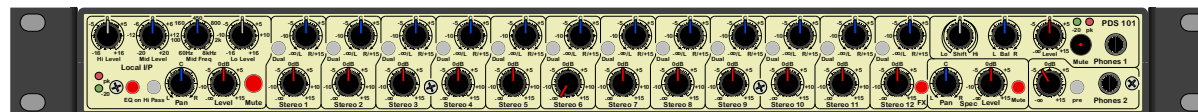
SPECIFICATIONS:

Max. Line I/P Level:	+22dBu (all inputs electronically balanced)
Max. Line O/P Level:	+27dBu (floating, electronically balanced)
THD+N (@+6dBu):	> 0.02% 22Hz - 22kHz, BW 80kHz
Max. Phones Level:	+24dBu @ 200Ohms, +22dBu @ 100Ohms
THD+N (@+6dBu):	> 0.01% 1kHz, BW 80kHz @ 100Ohms
Mic I/P THD:	> 0,1% @ 40dB Gain (Transformer isolated)
S/N Ratio Line O/P:	-82dB all channels pots centered (ref. +4dBu)
S/N Ratio Phones:	-90dBu all pots centered
EQ /Filters:	Hi 3kHz / Lo 120Hz shelving, Mid 60Hz - 8kHz 12dB/O Hi Pass 100Hz O/P SW: Lo Pass 150Hz
Tonalizer:	Classical Sound Shifter: Hi +/- 6dB Lo +1.5/-3dB
Frequency Response:	-1dB @10Hz to -3dB @50kHz

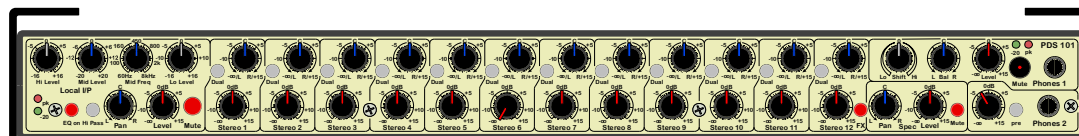
Dimensions:	Opt.01: 483x130x44mm (1HU 19") Weight: 2.1kg Add 15mm each side for knobs and connectors
	Opt.02: 435x130x53mm (add ca. 10mm on top for screws etc.) Add 15mm each side for knobs and connectors
	Opt.03: 484x155x82mm max.

OPTIONS:

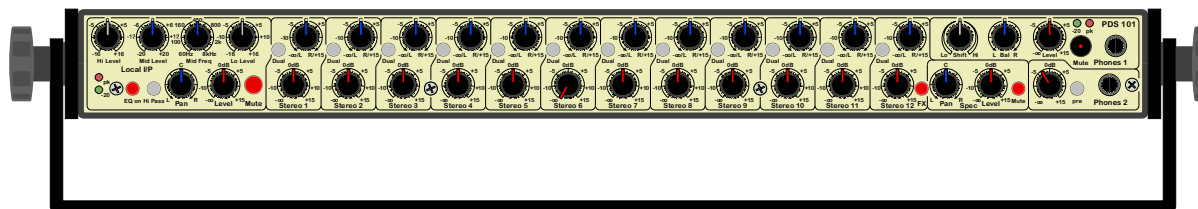
Opt.01: standard rack mount (front or back)



**Opt.02: table top or music stand mounting
additional hardware to order**



**Opt.03: mic stand mounting
(centered 3/8" thread)**



BLOCK DIAGRAM PDS 101MU:

