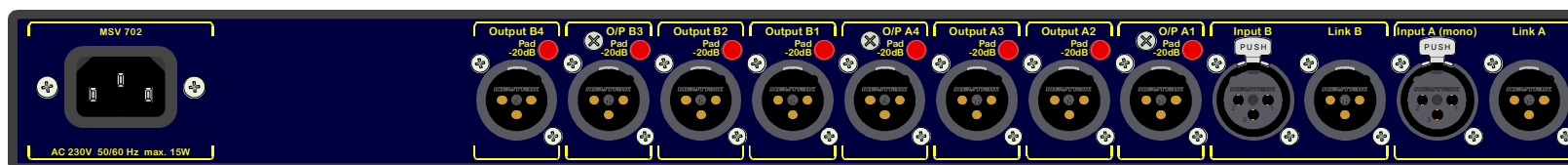
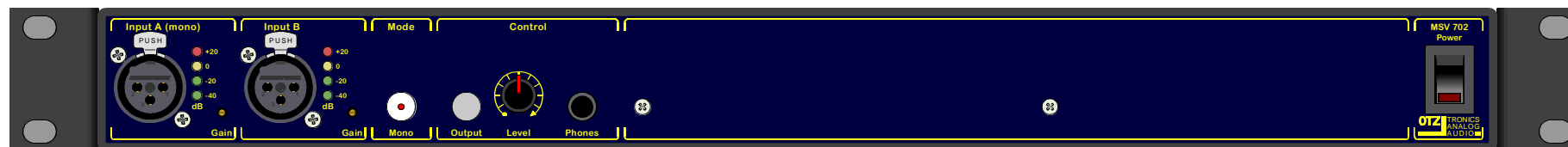


MSV 702 SIGNAL DISTRIBUTOR MONO/STEREO 1 > 8 / 2 > 4



MSV 702 SIGNAL DISTRIBUTOR MONO/STEREO 1 > 8 / 2 > 4

The ideal helper for isolated signal distribution!

Operation modes: mono 1 > 8, stereo 2 > 4 and sum A/B > 8

Two electronically balanced XLR-F connectors on the front in parallel to the rear XLR-F and XLR-M link connectors.
Level adjustment +/- 20dB with a recessed multiturn trimmer.
2x 4 balanced isolated outputs with Lundahl-transformer
Pad -20dB allows level matching of each output

Input level displays -40/-20/0dB/+20 (ref. to 0dBu)

Headphone amp switchable to input or (summed) output signal

The displays show the headphone section signal

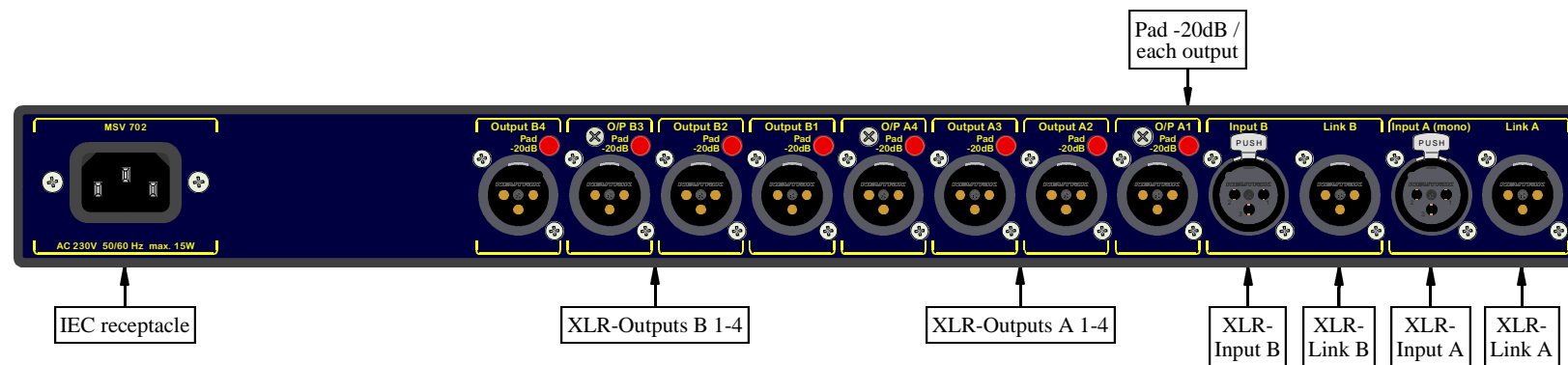
Operating modes:

Stereo / Dual: Signal A to outputs A 1 to 4
Signal B to outputs B 1 to 4

Mono: Signal A or B to outputs A 1 to 4 and B 1 to 4
Mono-switch active

Sum: Signal A and B to outputs A 1 to 4 and B 1 to 4
Mono-switch active

REAR VIEW



MSV 702 SPECIFICATIONS:

Circuitry optimized for high headroom and wide frequency response with excellent signal-to-noise ratio:

- S/N ratio: (0 db gain)** -97.5dBu -88.5 dBqp
- THD+N: (ref. +6dBu)** < 0.1% 22Hz - 22kHz
- Crosstalk:** > 80dB
- CMRR input:** > 80dB
- CMRR output:** 40Hz > 70dB 1kHz > 50dB 20kHz > 40dB
- Max. I/P / O/P Level:** +22.5 dBu
- Frequency Response:** +/- 0.2 dB 20 Hz > 50 kHz

Phase Response: +10 to -30 degrees
Power Supply: AC 230 V 50/60 Hz

Dimensions (LxWxH): 483 x 260 x 44 mm (19" 1 U)
Weight: 2,4 kg

FRONT VIEW

