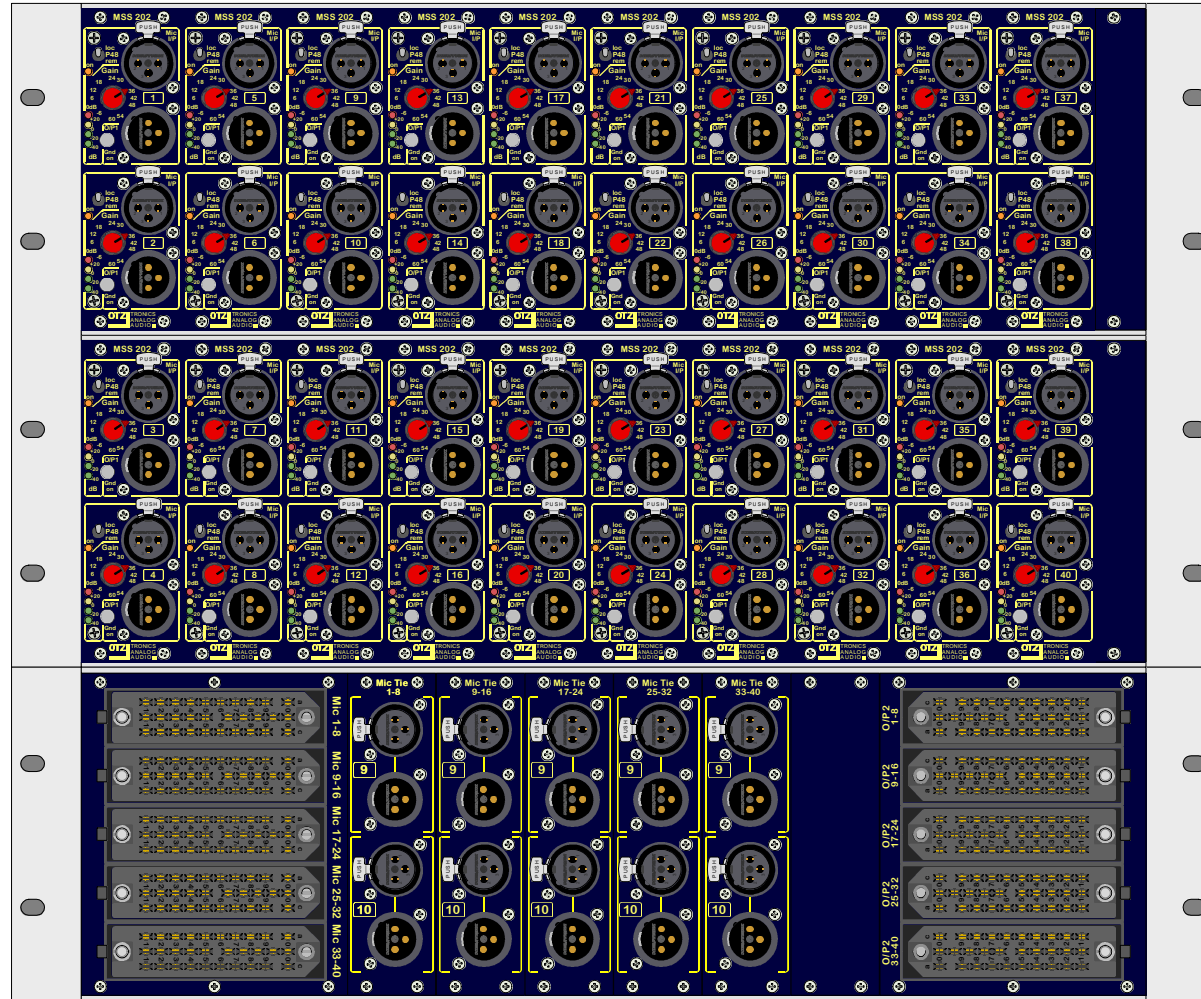


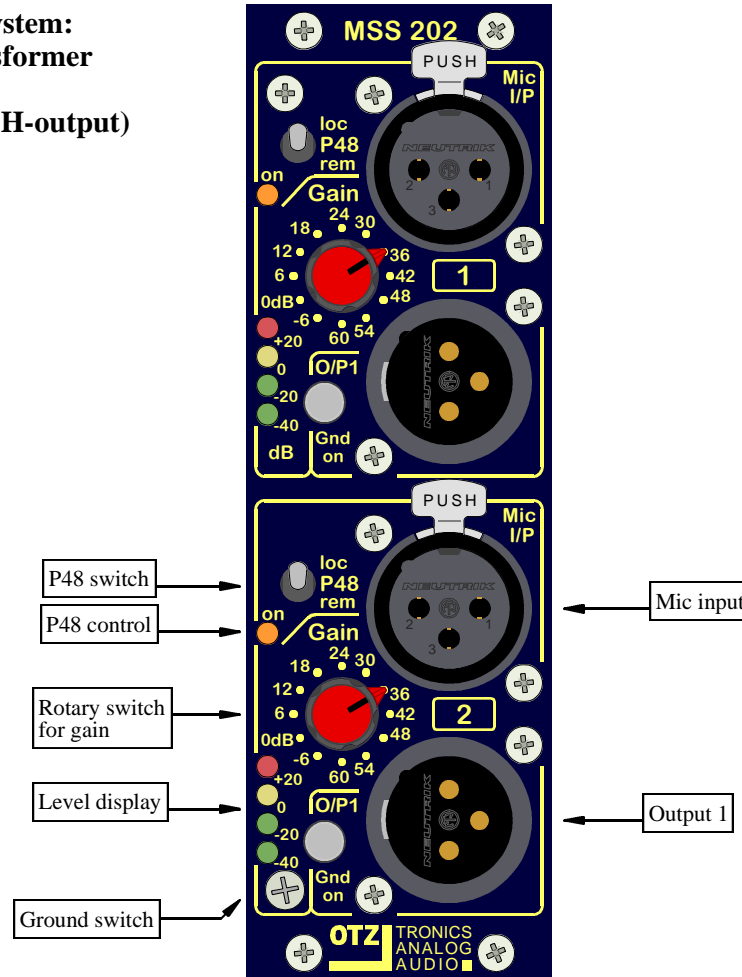
MSS 202 MIC/LINE PREAMP / SPLITTER

Ubiquitous microphone / line-level signal distribution system featuring four galvanically isolated transformer outputs.



MSS 202 AMPLIFIER PLUG-IN

This two-channel card is the heart of the splitter system:
 balanced amplifier driving a special Lundahl transformer
 XLR-connectors for input and output 1
 Phantom power switching: local or remote (via FOH-output)
 Gain adjustment -6 > 60db with rotary switch
 Level display -40 / -20 / 0dB / +20
 Ground switch for output 1



MSS 202 SPECIFICATIONS:

Circuitry optimized for high headroom and wide frequency response with excellent signal-to-noise ratio over gain:

SNR:	60 dB Gain	117.0 dB _{qp} I/P
(Source 200 Ohm,	54	117.0
Load 100 kOhm)	42	116.8
	30	116.3

Max. Input Level: +29 dBu

Max. Output Level: +23 dBu

Frequency Response: +/- 1 dB 20 Hz > 30 kHz

Phase Response:

+10 to -30 degrees

Power Supply:

internal / AC 230 V 50/60 Hz (standard)

Dimensions (LxWxH):

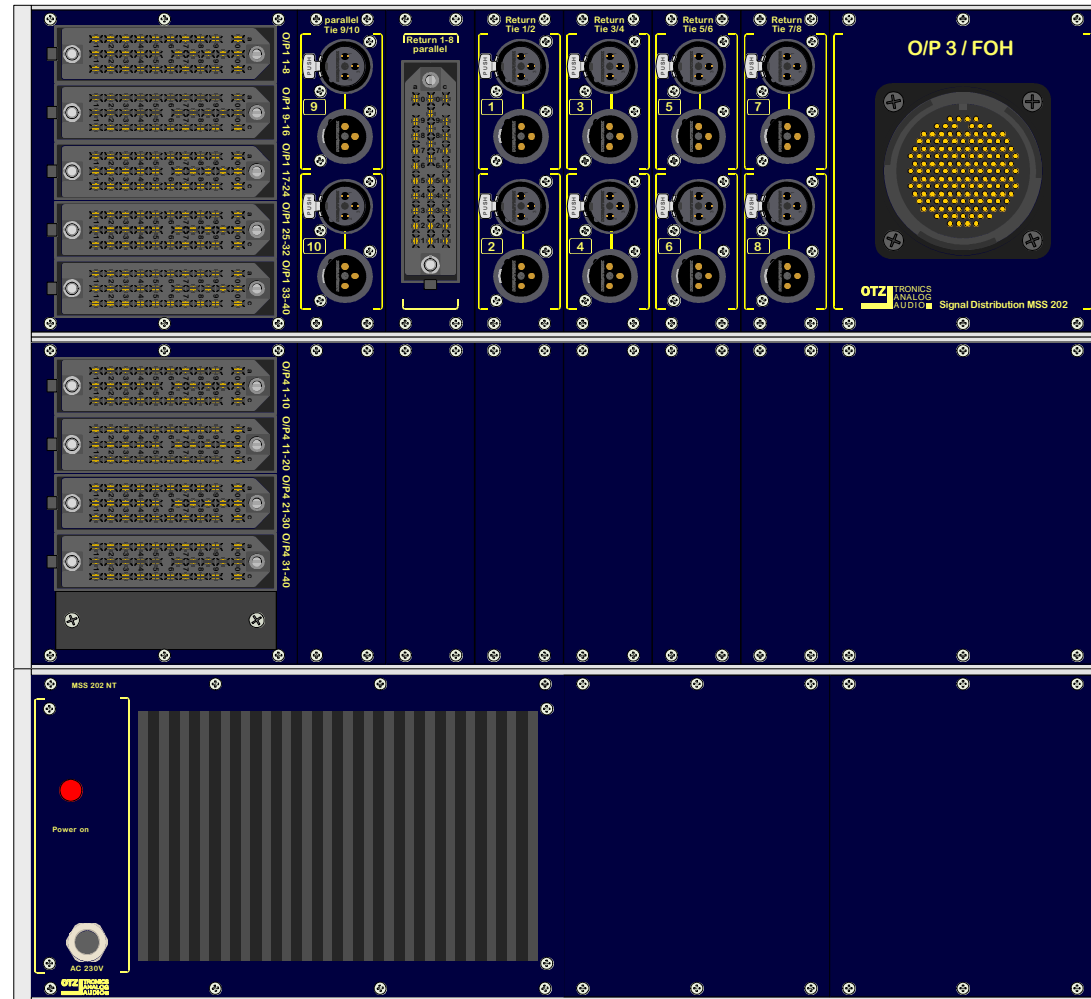
483 x 365 x 400 mm (19" 9 HU)

Weight:

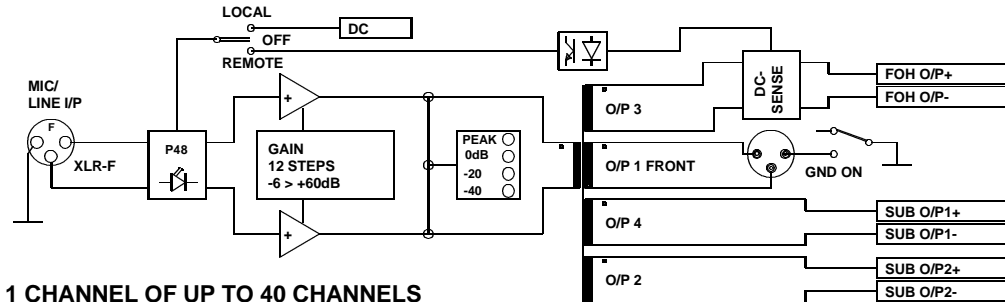
nn

MSS 202 VERSIONS

These systems are manufactured regularly to customer's specifications.



MSS 202 BLOCK DIAGRAM

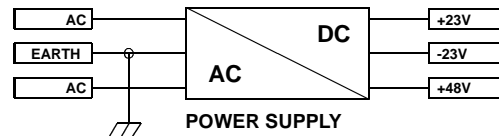


1 CHANNEL OF UP TO 40 CHANNELS

MULTIPIN-CONNECTOR CONFIGURATION TO ORDER (AVAILABLE FOR ALL INPUTS AND OUTPUTS)

OPTIONS: INTERNAL OR EXTERNAL LISTENING SYSTEM

CUSTOMIZED LETTERING



OPTIONS: INTERNAL PLUG-IN UNIT (STANDARD)

INTERNAL FAIL SAFE PLUG-IN UNITS (PARALLEL)

EXTERNAL 19" UNITS TO ORDER