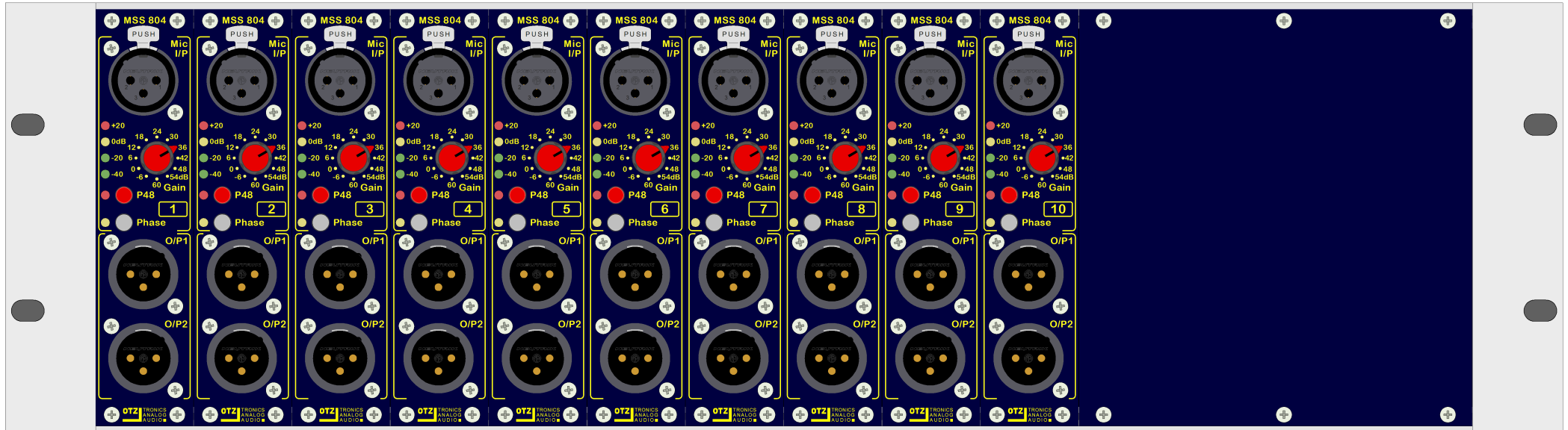


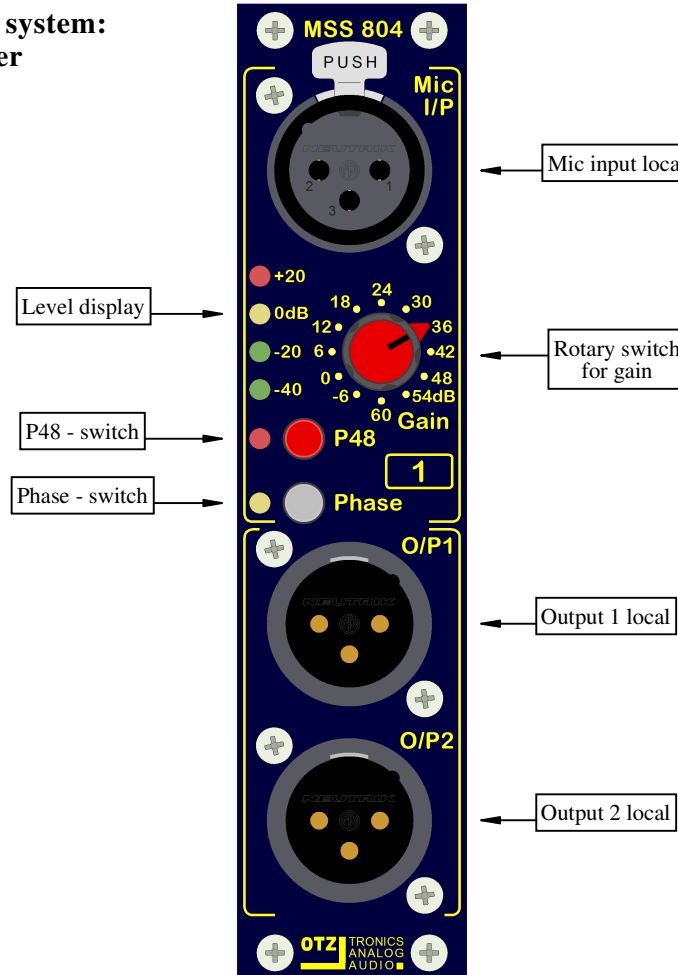
MSS 804 MIC PREAMP / SPLITTER

Mic- / line level signal distribution system with 4 galvanically isolated outputs per channel: a convenient solution for all purposes.



MSS 804 AMPLIFIER MODULE

This single channel card is the heart of the splitting system:
Balanced amplifier with Lundahl output transformer
XLR-F input connector
XLR-M output connectors 1/2
Phase reverse switch
Phantom power switchable (with soft start)
Gain -6 to +60 dB with rotary switch
Level display -40 / -20 / 0 dB /+20.



MSS 804 SPECIFICATIONS:

Circuitry optimized for high headroom and wide frequency response with excellent signal-to-noise ratio over gain:

SNR:	60 dB Gain	117.0 dBqp I/P
(Source 200 Ohm,	54	117.0
Load 100 kOhm)	42	116.8
	30	116.3

Max. Input Level: +29 dBu

Max. Output Level: +23 dBu

Frequency Response: +/- 1 dB 20 Hz > 30 kHz

Phase Response:

+10 to -30 degrees

Power Supply:

internal PSU AC 230 V 50/60 Hz (standard)

Dimensions (LxWxH):

483 x 260 x 133 mm (19" 3 U)

Weight:

9,0 kg

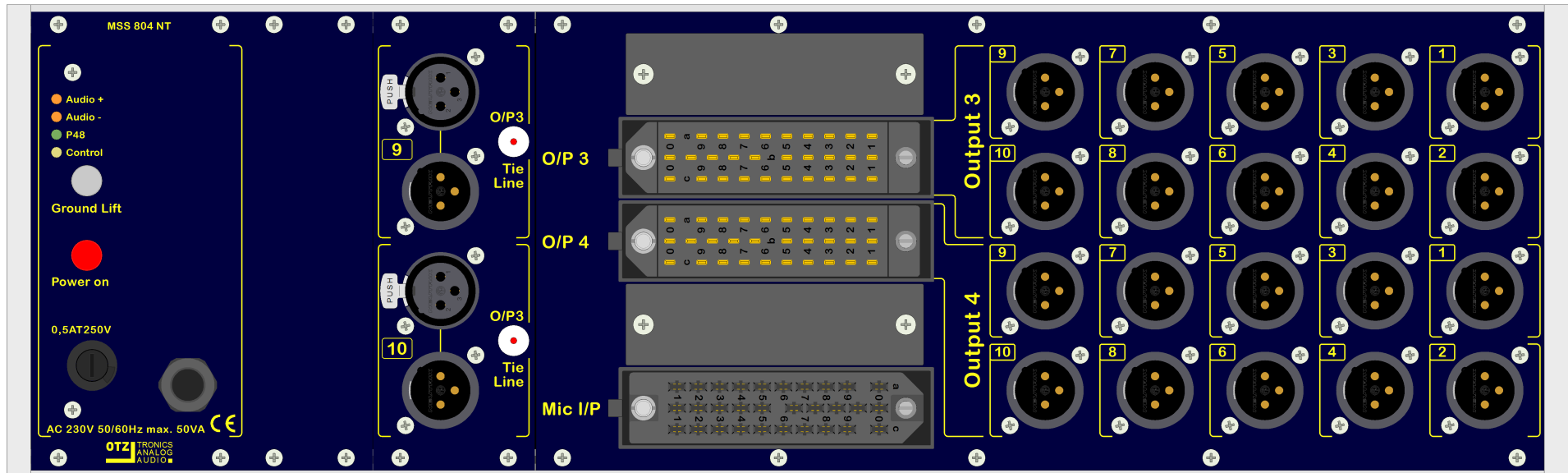
MSS 804 VERSIONS AVAILABLE:

Normally these systems are manufactured to customers standards.

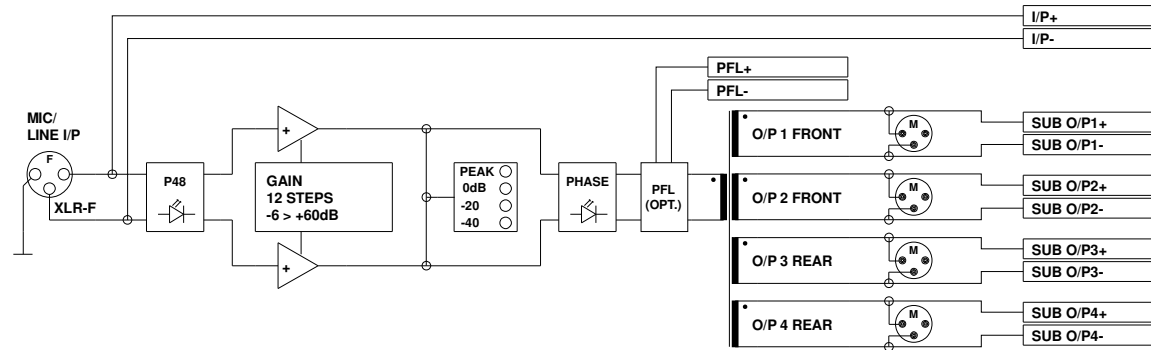
Version shown here:

Multicore wiring with 30pin rectangular connectors (DIN 41622)
and Tie-Line Extension for O/P 3 (FOH):

Lines 9 and 10 can be isolated from the corresponding output
in order to use them as return lines.



MSS 804 BLOCK DIAGRAM:

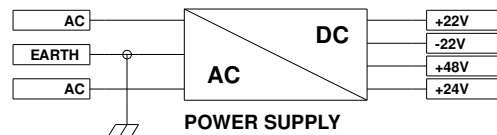


1 CHANNEL OF UP TO 10 OR 12 CHANNELS (3U HIGH FRAME)

MULTIPIN-CONNECTOR CONFIGURATION TO ORDER (AVAILABLE FOR ALL INPUTS AND OUTPUTS)

OPTIONS: INTERNAL OR EXTERNAL LISTENING SYSTEM

CUSTOMIZED LETTERING



OPTIONS: INTERNAL PLUG-IN UNIT (STANDARD)

INTERNAL FAIL SAFE PLUG-IN UNITS (PARALLEL)

EXTERNAL 19" UNITS TO ORDER